

LED Fixture



LED Mcad

Description

The small size of the Mcad makes it an ideal choice for size restricted architectural applications. The Mcad Series can be the illumination solution in commercial, industrial, retail and residential applications. Fixtures can be used in storage/utility areas, coves, display cases, shops, task and general area lighting.

Specification

Item No.	Input Power	Luminus	Efficacy	Input Voltage	Dimming Style
GLMD	24	2520	105	120-277	0-10V
GLMD	36	3780	105	120-277	0-10V

PERFORMANCE SUMMARY

Efficacy: >95LPW

Chip: Samsung LM561B OR Everlight 0.5W 2835

CRI: Ra>80

CCT Options: 3000K 3500K 4000K 5000K

Driver: Espen Dimmable LED power supplies

THD: <20%

PF: >0.9

The Espen Driver ensures steady performance and long lifetime

Driver efficiency >85%.

Temperature Limited: The product has applied for a Type TL LED driver

Standard Lifetime: Designed minimum 50,000

Mounting: Fixture may be surface, pendant, or stem mounted

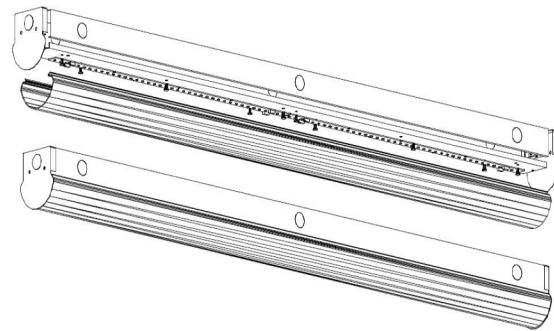
Standard Warranty: 5 Years

Order Information

Sample number: GLMD

GLMD	4FT	HL	DM	8	40	HL
Series	Size	Lumen package	Dimming	CRI	CCT	
LED Strip	4FT	LW - 24 Wattage HL - 36 Wattage	0-10V	8 - 80+ CRI 9 - 90+ CRI	30 - 3000K 35 - 3500K 40 - 4000K 50 - 5000K	

LED Strip Style A



Dimension

Item NO:	Lenth	Width	Depth
GLMD	48"	3.2"	3.4"
GLMD	48"	3.2"	3.4"

Mounting Options

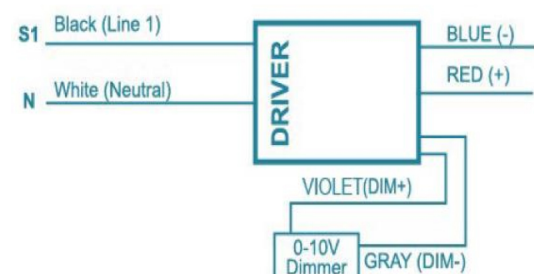
V-Chips: for dual point chain or cable hanging.



V-Clips

Wiring Diagram

Espen Driver



LED BY SAMSUNG

